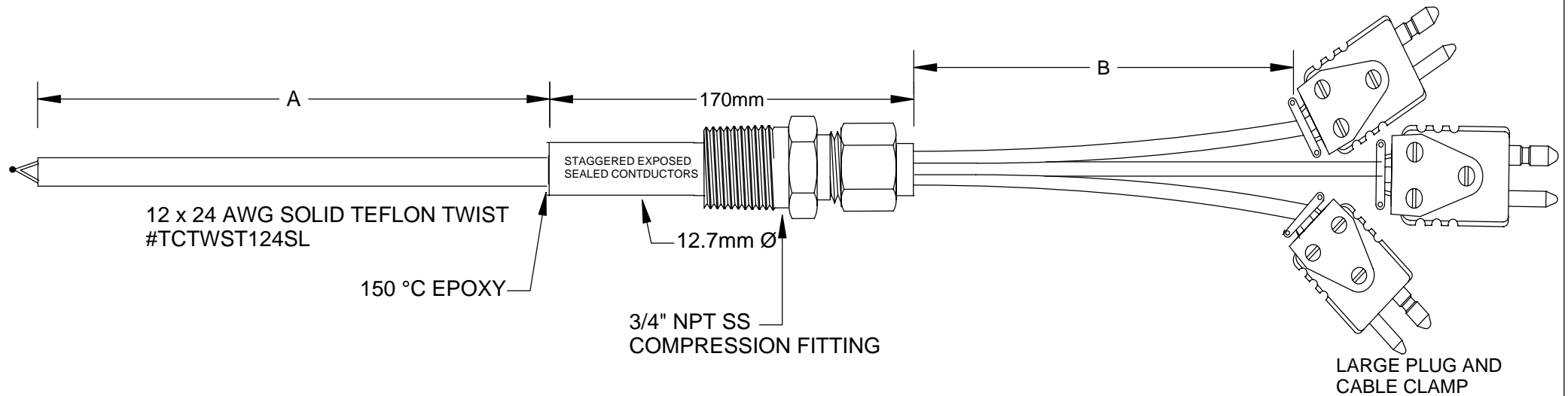


SPECIAL LIMITS MULTIPOINT AUTOCLAVE THERMOCOUPLE



- 12 POINT AUTOCLAVE PROFILE THERMOCOUPLE
- SPECIAL LIMITS CABLE
- 24 AWG TEFLON TWIST
- ROLL CERTIFICATE FOR SPECIAL LIMITS

TYPE T BEAD JUNCTION THERMOCOUPLE ASSEMBLY

TEMPERATURE CONTROLS PTY LTD Certificate No: QEC 14412
AS/NZS 9001:2000

CONDITIONS

THIS DRAWING IS OUR EXCLUSIVE PROPERTY AND MUST NOT BE COPIED OR HANDED TO ANY OTHER PARTIES WITH OUT WRITTEN PERMISSION. IT SHALL BE RETURNED UPON REQUEST

SYDNEY : 7 YAMMA ST SEFTON , NSW 2162
PHONE : (02) 9721 8644 FAX : (02) 9738 9339
MELBOURNE : 8/280 Whitehall St
YARRAVILLE VIC 3013
PHONE : (03) 9687 0000 FAX : (03) 9687 1900
EMAIL : sales@temperature.com.au



TITLE

SIZE : A4	DATE : 29/02/12	DWG NO : SD 994
SCALE : NTS	DRAWING BY R.B	REV : 00